

 **TOYOTA**  
**TAKE THE LEAD**

# PRADO .....



*On & Off Road Comfort* .....



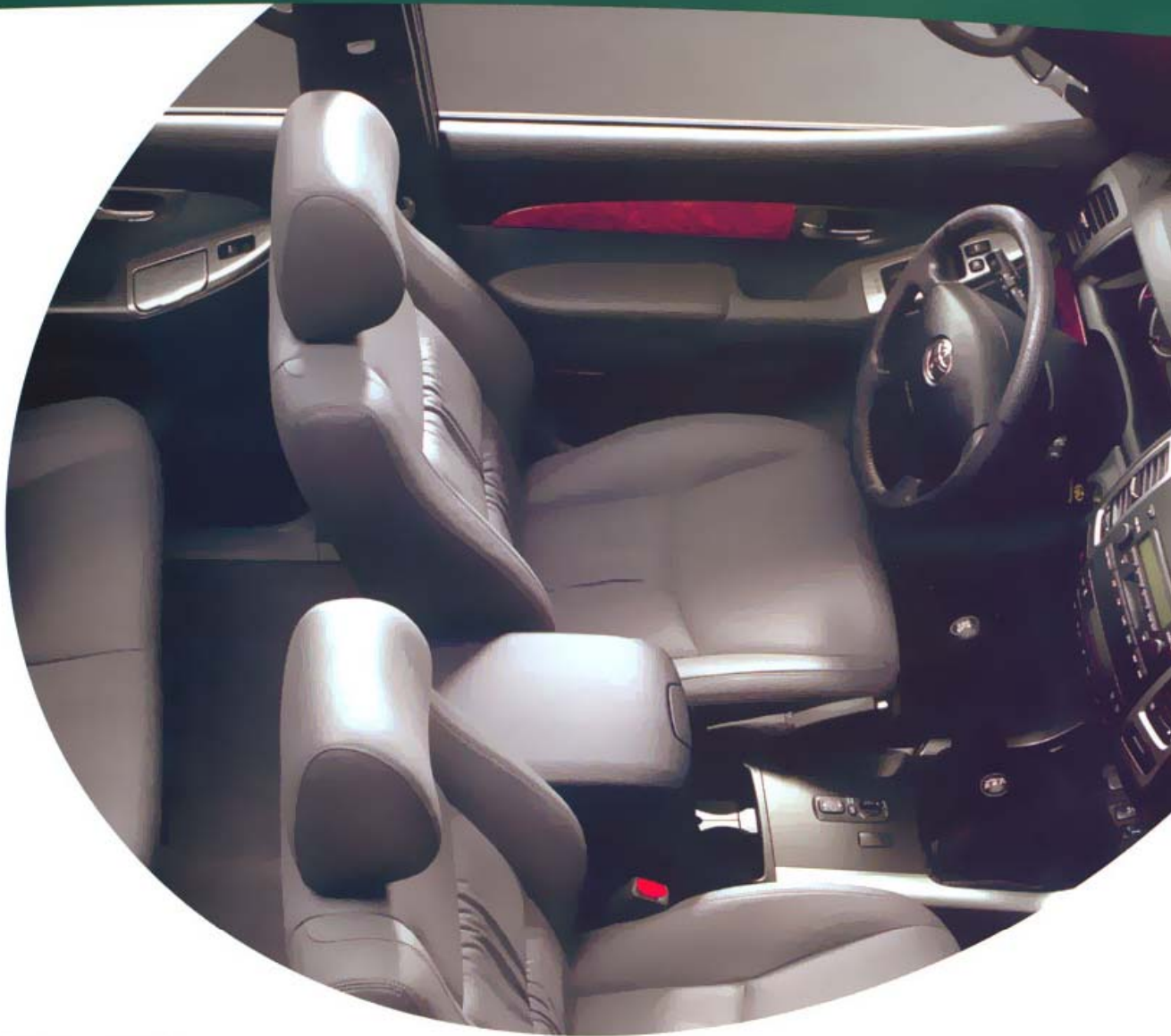
## On & Off Road Comfort



Prado is fitted with a full time transfer case with an easy to use shift lever to cope with off road challenges.



The sunroof has a jam protection system when closing it in the touch mode (optional).



- The audio system featuring a CD player and radio/ cassette in the center cluster with six speakers creating a clear sound.

- Safety of the passengers is ensured by the SRS airbags which help reduce impact in the event of collision.

- The ABS (Anti-lock Brake system) & EBD (Electronic Brake Force Distribution) help control vehicle stability when braking on slippery roads.

- The advanced immobilizer system provides security against theft.

- The front and second row seats can be laid fully flat for easy access to third row seats or to create more luggage space.



The lid of the large center console box features an 8-position slide function to be used as an armrest.



The front bumper protector adds a strong solid look.

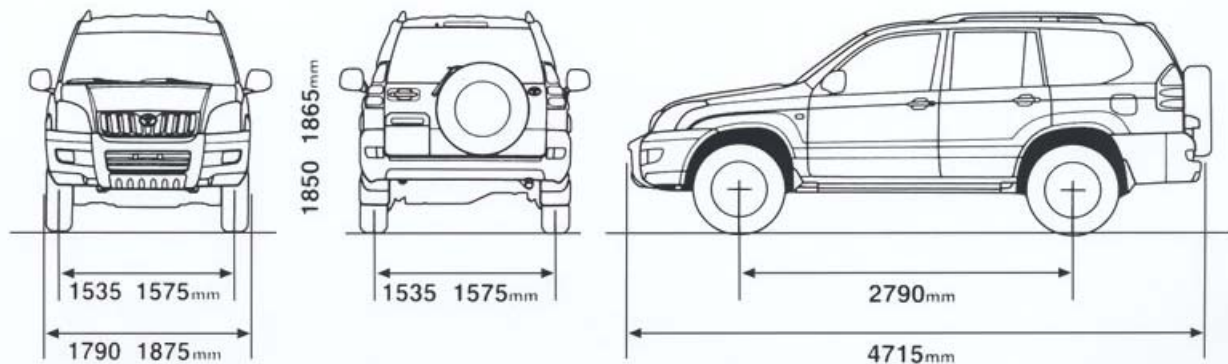
# SPECIFICATIONS

MODEL	VX		GX	
<b>ENGINE</b>	<b>1GR-FE 24V 4.0 L</b> (unleaded premium)	<b>1KZ-TE, 3.0 L</b> (Turbo Diesel)	<b>2TR-FE, 2.7 L</b> (unleaded gasoline)	<b>5L-E, 3.0 L</b> (Diesel)
Type	V6, Four Cam, 24-valve, with VVT-i	4-cyl. in line, IDI, OHC Turbo charged	4-cyl. In-line Twin Cam 16-valve, with VVT-i	4-cyl. In-line OHC
Piston displacement (cc)	3956	2982	2694	2986
Max. output HP/rpm	240@5200 (SAE net)	129@3600	160@5200 (SAE net)	94@4000 (SAE net)
Max. torque Kg-m/rpm	38.3@3800 (SAE net)	35@2000 (SAE net)	25.1@3800 (SAE net)	20.1@2400 (SAE net)
Fuel injection system	Electronic fuel injection	Electronic fuel injection	Electronic fuel injection	Electronic fuel injection
<b>TRANSMISSION</b>				
	6-speed manual 5-speed automatic	5-speed manual 4-speed automatic	5-speed manual 4-speed automatic	5 speed manual
<b>SUSPENSION</b>				
Front	Double wishbone independent suspension (Coil springs with a stabilizer)			
Rear	4-link type suspension (Coil springs with a stabilizer bar)			
<b>BRAKES</b>				
Front /Rear	Ventilated discs/Ventilated discs			
<b>DIMENSIONS &amp; WEIGHTS</b>				
<b>Overall</b>				
Length (mm)	4810 (4850")	4810 (4850")	4810 (4850")	4810 (4850")
Width (mm)	1790 (1875")	1790 (1875")	1790 (1875")	1790 (1875")
Height (mm)	1850 (1865")	1850 (1865")	1850 (1865")	1850 (1865")
<b>Wheelbase (mm)</b>	2790	2790	2790	2790
<b>Tread</b>				
Front	1535 (1575")	1535 (1575")	1535 (1575")	1535 (1575")
Rear	1535 (1575")	1535 (1575")	1535 (1575")	1535 (1575")
Ground clearance (mm)	205 (220")	205 (220")	205 (220")	205 (220")
Kerb weight (kg)	1910-2120	1980-2170	1870-2000	1930-2110
Gross vehicle weight (kg)	2800	2850	2800	2800
Seating capacity	8	8	8	8/10

\* Wide body

Toyota Motor Corporation reserves the right to alter any details of specifications and equipment without notice. Details of specifications and equipment are also subject to change to suit local conditions and requirements. Please inquire at your local dealer for details of any such changes that might be required for your area.

## DIMENSIONS



www.toyotaegypt.com.eg

The Sole Agent in A.R.E.: **Toyota Egypt S.A.E.**

Cairo: 10, Greek Hospital St., Abbassia - Tel.: (+202) 68 58 980 - 48 80 400, Fax.: 48 58 286

13, tower 12 southern group-Aghakhan towers, El Nile Corniche, Sales: (+202) 4880450 - Ext.: 1222 - Service center: (+202) 4880412 - Ext.: 1116 - Fax: 20 45 454

Alexandria: 381, El Horrya Road, Mostafa Kamel - Tel.: (+203) 52 32 923 - 52 32 924 - 52 31 050, Fax: 52 310 40

Down Town - Al Hadika El Dawlia - Tel.: (+203) 3824050/60/70, Fax: (+203) 3824080

Toyota's Maintenance & Service Center - Industrial zone - El Manshia El Gedida-Meharam Beak.tel:(03) 3622207, fax:(03) 3622209